

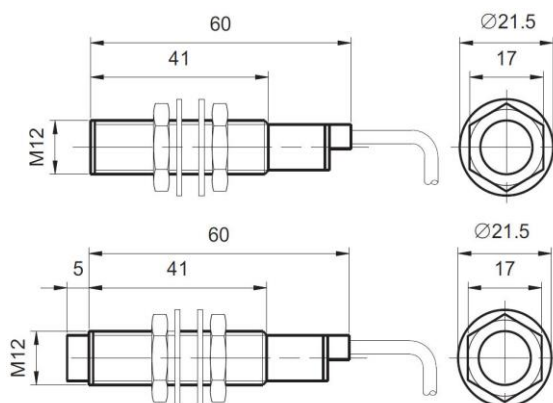
INDUCTIVE PROXIMITY SENSOR



Italsensor S.r.L.
Via Ferrua 1 ("Z.I. La Porporata")
Pinerolo (TO), 10064, ITALY
Tel. +39.0121.502292
www.italsensor.com
info@italsensor.com

Family model

IS-LM12



		Detection distance		2mm
Flush Shielded	DC: 6÷36V	NPN	NO	IS-LM12-3002NA
			NC	IS-LM12-3002NB
			NO+NC	IS-LM12-3002NC
		PNP	NO	IS-LM12-3002PA
			NC	IS-LM12-3002PB
			NO+NC	IS-LM12-3002PC
	AC: 90÷250V	SCR Control label silicon	NO	IS-LM12-2002A
			NC	IS-LM12-2002B
			NO+NC	
		Relay output		
Non-flush Not shielded	DC: 6÷36V	NPN	NO	IS-LM12-3004NA
			NC	IS-LM12-3004NB
			NO+NC	IS-LM12-3004NC
		PNP	NO	IS-LM12-3004PA
			NC	IS-LM12-3004PB
			NO+NC	IS-LM12-3004PC
	AC: 90÷250V	SCR Control label silicon	NO	IS-LM12-2004A
			NC	IS-LM12-2004B
			NO+NC	
		Relay output		
Output current		DC		200mA
		SCR/Relay		300mA
Output voltage drop DC/AC				DC(NPN, PNP)<3V, Two-wires<3.9V AC<10V
Current consumption				DC (NPN, PNP) 12V@8mA, 24V@15mA, AC<10mA
Standard detected object				15×15×1 mm (A3 iron)
Repeatability				0,01
DC/AC Response frequency				400Hz/25Hz
Working temperature				-25°C ÷ 75°C
Insulation resistance				≥50MΩ
Housing material				Metal
Protection grade				IP67