

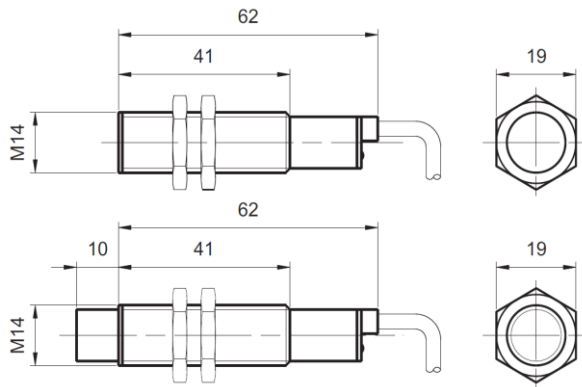
## INDUCTIVE PROXIMITY SENSOR



Italsensor S.r.l.  
Via Ferrua 1 ("Z.I. La Porporata")  
Pinerolo (TO), 10064, ITALY  
Tel. +39.0121.502292  
www.italsensor.com  
info@italsensor.com

### Family model

### IS-LM14



Flush Shielded	Detection distance			3mm
	DC: 6÷36V	NPN	NO	IS-LM14-3003NA
NC			IS-LM14-3003NB	
NO+NC			IS-LM14-3003NC	
PNP			NO	IS-LM14-3003PA
			NC	IS-LM14-3003PB
			NO+NC	IS-LM14-3003PC
Two wire system		NO	IS-LM14-3003LA	
		NC	IS-LM14-3003LB	
		Relay output		
AC: 90÷250V		SCR Control label silicon	NO	IS-LM14-2003A
			NC	IS-LM14-2003B
			NO+NC	
Relay output				
Non-Flush Not shielded	Detection distance			5mm
	DC: 6÷36V	NPN	NO	IS-LM14-3005NA
NC			IS-LM14-3005NB	
NO+NC			IS-LM14-3005NC	
PNP		NO	IS-LM14-3005PA	
		NC	IS-LM14-3005PB	
		NO+NC	IS-LM14-3005PC	
Two wire system		NO	IS-LM14-3005LA	
		NC	IS-LM14-3005LB	
		Relay output		
AC: 90÷250V		SCR Control label silicon	NO	IS-LM14-2005A
			NC	IS-LM14-2005B
			NO+NC	
Relay output				
Output current	DC		200mA	
	SCR/Relay		300mA	
Output voltage drop DC/AC			DC(NPN, PNP)<3V, Two-wires<3.9V AC<10V	
Current consumption			DC (NPN, PNP) 12V@8mA, 24V@15mA, AC<10mA	
Standard detected object			15×15×1 mm (A3 iron)	
Repeatability			0,02	
DC/AC Response frequency			300Hz/25Hz	
Working temperature			-25°C ÷ 75°C	
Insulation resistance			≥50MΩ	
Housing material			Metal	
Protection grade			IP67	