

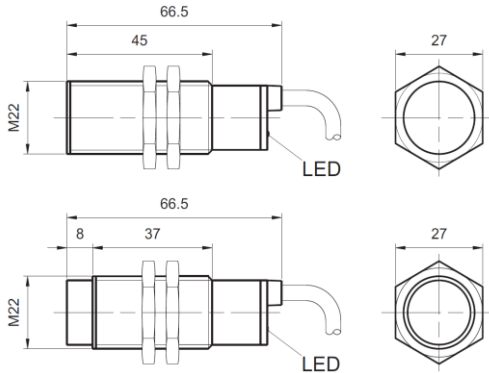
INDUCTIVE PROXIMITY SENSOR



Italsensor S.r.l.
Via Ferrua 1 ("Z.I. La Porporata")
Pinerolo (TO), 10064, ITALY
Tel. +39.0121.502292
www.italsensor.com
info@italsensor.com

Family model

IS-LM22



Flush Shielded	Detection distance			7mm
	DC: 6÷36V	NPN	NO	IS-LM22-3007NA
NC			IS-LM22-3007NB	
NO+NC			IS-LM22-3007NC	
PNP		NO	IS-LM22-3007PA	
		NC	IS-LM22-3007PB	
		NO+NC	IS-LM22-3007PC	
Two wire system		NO	IS-LM22-3007LA	
		NC	IS-LM22-3007LB	
AC: 90÷250V		SCR Control label silicon	NO	IS-LM22-2007A
	NC		IS-LM22-2007B	
	NO+NC		IS-LM22-2007C	
Relay output				
Non-Flush Not shielded	Detection distance			10mm
	DC: 6÷36V	NPN	NO	IS-LM22-3007NA
NC			IS-LM22-3007NB	
NO+NC			IS-LM22-3007NC	
PNP		NO	IS-LM22-3007PA	
		NC	IS-LM22-3007PB	
		NO+NC	IS-LM22-3007PC	
Two wire system		NO	IS-LM22-3007LA	
		NC	IS-LM22-3007LB	
AC: 90÷250V		SCR Control label silicon	NO	IS-LM22-2007A
	NC		IS-LM22-2007B	
	NO+NC		IS-LM22-2007C	
Relay output				
Output current	DC		200mA	
	SCR/Relay		300mA	
Output voltage drop DC/AC			DC(NPN, PNP)<3V, Two-wires<3.9V AC<10V	
Current consumption			DC (NPN, PNP) 12V@8mA, 24V@15mA, AC<10mA	
Standard detected object			30×30×1 mm (A3 iron)	
Repeatability			0,05	
DC/AC Response frequency			200Hz/25Hz	
Working temperature			-25°C ÷ 75°C	
Insulation resistance			≥50MΩ	
Housing material			Metal	
Protection grade			IP67	