

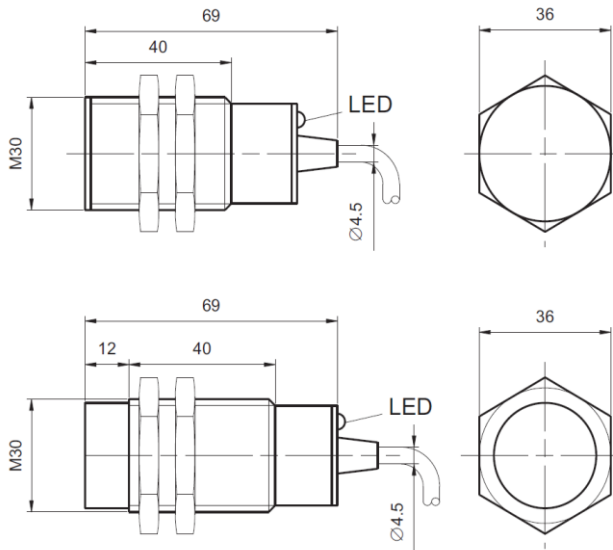
INDUCTIVE PROXIMITY SENSOR



Italsensor S.r.L.
Via Ferrua 1 ("Z.I. La Porporata")
Pinerolo (TO), 10064, ITALY
Tel. +39.0121.502292
www.italsensor.com
info@italsensor.com

Family model

IS-LM30



		Detection distance		10mm	
		Flush Shielded	DC: 6÷36V	NPN	NO
NC	IS-LM30-3010NB				
NO+NC	IS-LM30-3010NC				
PNP	NO			IS-LM30-3010PA	
	NC			IS-LM30-3010PB	
	NO+NC			IS-LM30-3010PC	
Two wire system	NO		IS-LM30-3010LA		
	NC		IS-LM30-3010LB		
	AC: 90÷250V		SCR Control label silicon	NO	IS-LM30-2010A
				NC	IS-LM30-2010B
NO+NC		IS-LM30-2010C			
		Relay output			
		Detection distance		15mm	
		Non-flush Not shielded	DC: 6÷36V	NPN	NO
NC	IS-LM30-3015NB				
NO+NC	IS-LM30-3015NC				
PNP	NO			IS-LM30-3015PA	
	NC			IS-LM30-3015PB	
	NO+NC			IS-LM30-3015PC	
Two wire system	NO		IS-LM30-3015LA		
	NC		IS-LM30-3015LB		
	AC: 90÷250V		SCR Control label silicon	NO	IS-LM30-3015A
				NC	IS-LM30-3015B
NO+NC		IS-LM30-3015C			
		Relay output			
Output current		DC		200mA	
		SCR/Relay		300mA	
Output voltage drop DC/AC		DC(NPN, PNP)<3V, Two-wires<3.9V AC<10V			
Current consumption		DC (NPN, PNP) 12V@8mA, 24V@15mA, AC<10mA			
Standard detected object		30×30×1 mm (A3 iron)			
Repeatability		0,05			
DC/AC Response frequency		200Hz/25Hz			
Working temperature		-25°C ÷ 75°C			
Insulation resistance		≥50MΩ			
Housing material		Metal			
Protection grade		IP67			