

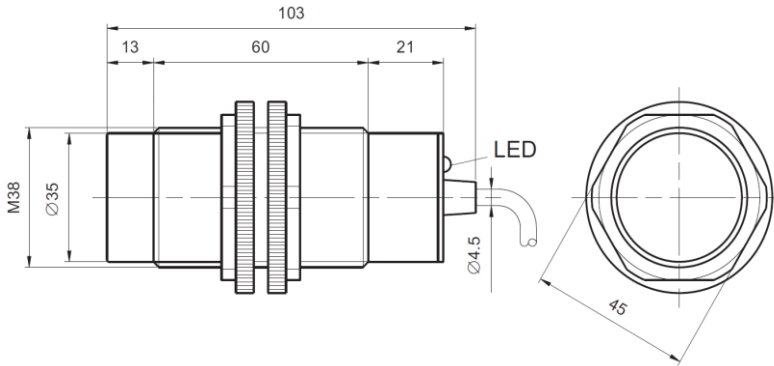
## INDUCTIVE PROXIMITY SENSOR



Italsensor S.r.L.  
Via Ferrua 1 ("Z.I. La Porporata")  
Pinerolo (TO), 10064, ITALY  
Tel. +39.0121.502292  
www.italsensor.com  
info@italsensor.com

**Family model**

**IS-LM38**



		Detection distance		12 mm
		<b>Flush Shielded</b>	DC: 6÷36V	NPN
NC	IS-LM38-3012NB			
NO+NC	IS-LM38-3012NC			
PNP	NO			IS-LM38-3012PA
	NC			IS-LM38-3012PB
	NO+NC			IS-LM38-3012PC
AC: 90÷250V	SCR Control label silicon		NO	IS-LM38-2012A
			NC	IS-LM38-2012B
			NO+NC	IS-LM38-2012C
	Relay output			
		Detection distance		18 mm
		<b>Non-flush Not shielded</b>	DC: 6÷36V	NPN
NC	IS-LM38-3018NB			
NO+NC	IS-LM38-3018NC			
PNP	NO			IS-LM38-3018PA
	NC			IS-LM38-3018PB
	NO+NC			IS-LM38-3018PC
AC: 90÷250V	SCR Control label silicon		NO	IS-LM38-2018A
			NC	IS-LM38-2018B
			NO+NC	IS-LM38-2018C
	Relay output			
Output current	DC		200mA	
	SCR/Relay		300mA / 1A	
Output voltage drop DC/AC		DC(NPN, PNP)<3V, Two-wires<3.9V AC<10V		
Current consumption		DC (NPN, PNP) 12V@8mA, 24V@15mA, AC<10mA		
Standard detected object		38×38×1 mm (A3 iron)		
Repeatability		0,1		
DC/AC Response frequency		100Hz/20Hz		
Working temperature		-25°C ÷ 75°C		
Insulation resistance		50MΩ		
Housing material		ABS		
Protection grade		IP67		