

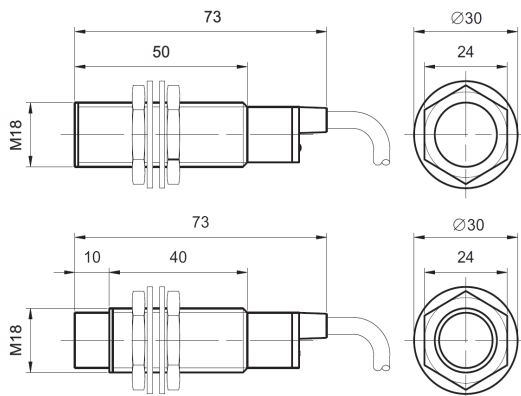
## INDUCTIVE PROXIMITY SENSOR



Italsensor S.r.L.  
Via Ferrua 1 ("Z.I. La Porporata")  
Pinerolo (TO), 10064, ITALY  
Tel. +39.0121.502292  
www.italsensor.com  
info@italsensor.com

### Family model

### IS-LM18



		Detection distance		5mm	
<b>Flush Shielded</b>	DC: 6÷36V	NPN	NO	IS-LM18-3005NA	
			NC	IS-LM18-3005NB	
			NO+NC	IS-LM18-3005NC	
		PNP	NO	IS-LM18-3005PA	
			NC	IS-LM18-3005PB	
			NO+NC	IS-LM18-3005PC	
	AC: 90÷250V	SCR Control label silicon	NO	IS-LM18-2005A	
			NC	IS-LM18-2005B	
			NO+NC	IS-LM18-2005C	
		Relay output			
<b>Non-Flush Not shielded</b>	DC: 6÷36V	NPN	NO	IS-LM18-3008NA	
			NC	IS-LM18-3008NB	
			NO+NC	IS-LM18-3008NC	
		PNP	NO	IS-LM18-3008PA	
			NC	IS-LM18-3008PB	
			NO+NC	IS-LM18-3008PC	
	AC: 90÷250V	SCR Control label silicon	NO	IS-LM18-2008A	
			NC	IS-LM18-2008B	
			NO+NC	IS-LM18-2008C	
		Relay output			
Output current		DC		200mA	
		SCR/Relay		300mA	
Output voltage drop DC/AC		DC(NPN, PNP)<3V, Two-wires<3.9V AC<10V			
Current consumption		DC (NPN, PNP) 12V@8mA, 24V@15mA, AC<10mA			
Standard detected object		18×18×1 mm (A3 iron)			
Repeatability		0,02			
DC/AC Response frequency		200Hz/25Hz			
Working temperature		-25°C ÷ 75°C			
Insulation resistance		≥50MΩ			
Housing material		Metal			
Protection grade		IP67			